

CASH RECYCLER

CM 24.8

C A S H P R O C E S S I N G



UNIT FOR THE
AUTOMATIC DEPOSIT
AND WITHDRAWAL OF CASH

- COUNTING
- VALIDATION



cashpro

CM 24.8

CASH RECYCLER

UNIT FOR THE AUTOMATIC DEPOSIT AND WITHDRAWAL OF CASH

CM 24.8 is a peripheral designed for the handling and control of cash in banking operations which include the deposit and withdrawal of cash.

The unit is connected to the teller work station via a serial interface and it can be shared by two operators. The banknote "recycle" function reduces the money held at the teller to a minimum.

INPUT UNIT

- Feeding and counting of notes deposited
- Deposit of bundles of cash in mixed sizes and denominations
- Bundles of up to 200 notes for up to 8 denominations
- Pre-selection and automatic rejection of double/damaged notes
- Productivity: 4 notes per second

OUTPUT UNIT

- Bundles of up to 200 notes
- Two separate openings (one for each operator) for cash dispensing
- Productivity: 5 notes per second

READER MODULE

- Individual note recognition and validation of up to 24 denominations

STORAGE UNIT

- Automatic insertion of deposited banknotes into storage modules
- Storage capacity:
 - 8 storage modules
 - 4 modules up to 600 notes
 - 4 modules up to 350 notes
- Strong Box, UL291, CENIII safes
- Predisposition for installation of alarm sensors and standard locks

OPERATOR PANEL

- LCD display

INTERFACES

- Connection to system via RS232

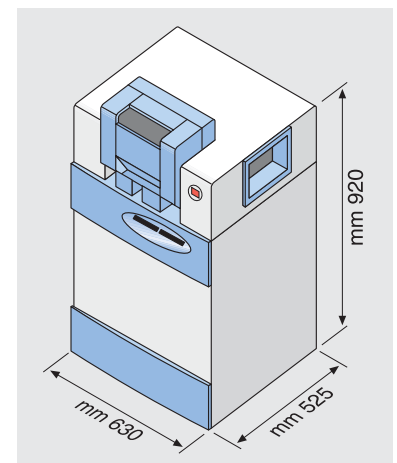
SOFTWARE

- Windows driver available
- Web interface via LAN option

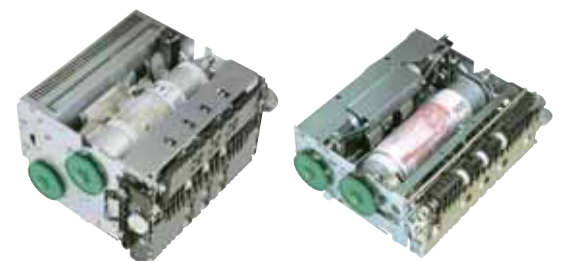
OPTIONS

- LAN connection
- Safe door opening controlled by software command
- External signal for "Unit disable"

DIMENSIONS



Any changes without prior notice



cashpro

Via Statale 17 - 10012 BOLLENGO (TO) ITALY - Tel. +39 0125 674400 - Fax +39 0125 674461
e-mail: cashpro1@ctsgroup.it - www.ctsgroup.it