

# CASH RECYCLER

CM 14.8

C A S H P R O C E S S I N G



UNIT FOR THE  
AUTOMATIC DEPOSIT  
AND WITHDRAWAL OF CASH

- COUNTING
- VALIDATION



**cashpro**

## CM 14.8

# CASH RECYCLER

## UNIT FOR THE AUTOMATIC DEPOSIT AND WITHDRAWAL OF CASH

**CM 14.8** is a peripheral designed for the handling and control of cash in banking operations which include the deposit and withdrawal of cash. The unit is connected to the teller work station via a serial interface and it can be shared by two operators. The banknote "recycle" function reduces the money held at the teller to a minimum.

### INPUT UNIT

- Feeding and counting of notes deposited
- Deposit of bundles of cash in mixed-sizes and denominations
- Bundles of up to 200 notes for up to 8 denominations
- Preselection and automatic rejection of double/damaged notes
- Productivity: 4 notes per second

### OUTPUT UNIT

- Bundles of up to 200 notes
- Productivity: 5 notes per second

### READER MODULE

- Individual note recognition and validation of up to 24 denominations

### STORAGE UNIT

- Automatic insertion of deposited banknotes into storage modules
- Storage capacity : 8 storage modules each one with a capacity of up to 350 notes
- Strong Box, UL291, CENIII safes
- Equipped for installation of alarm sensors and standard locks

### OPERATOR PANEL

- LCD display

### INTERFACES

- Connection to system via RS232

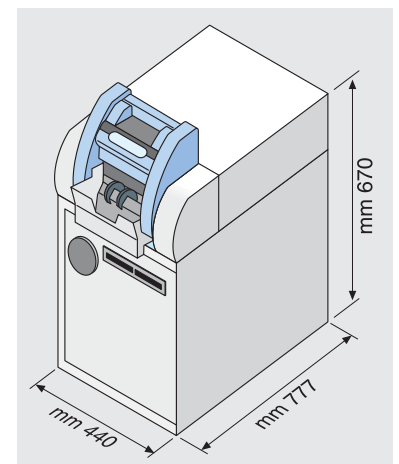
### SOFTWARE

- Windows driver available
- Web interface via LAN option

### OPTIONS

- LAN connection
- Safe door opening controlled by software command
- External signal for "Unit disable"

### DIMENSIONS



Any changes without prior notice